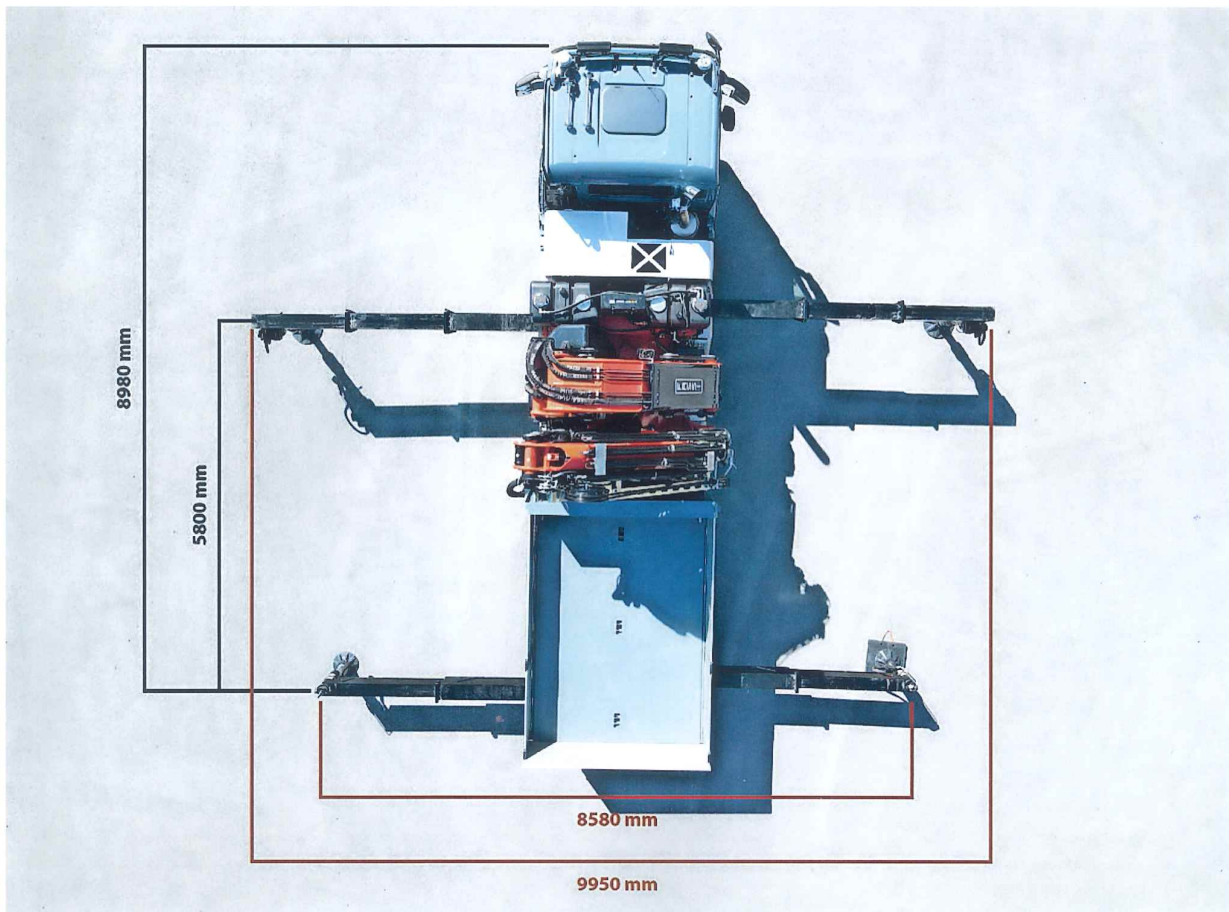
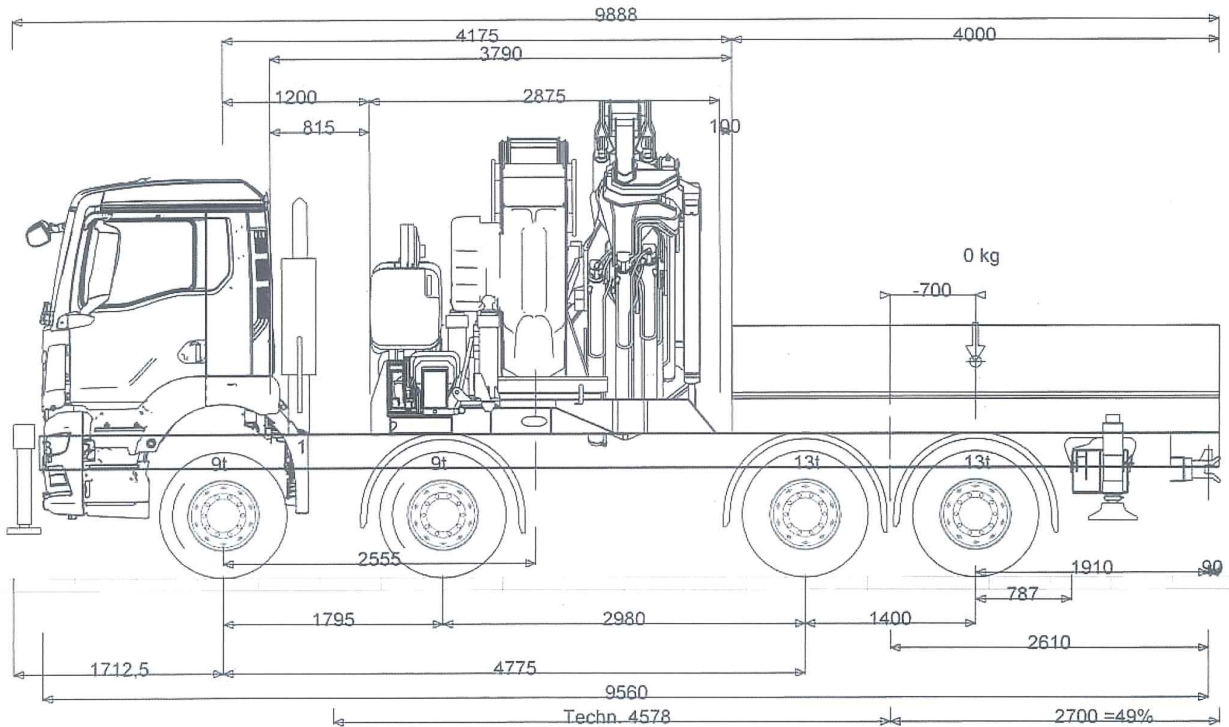


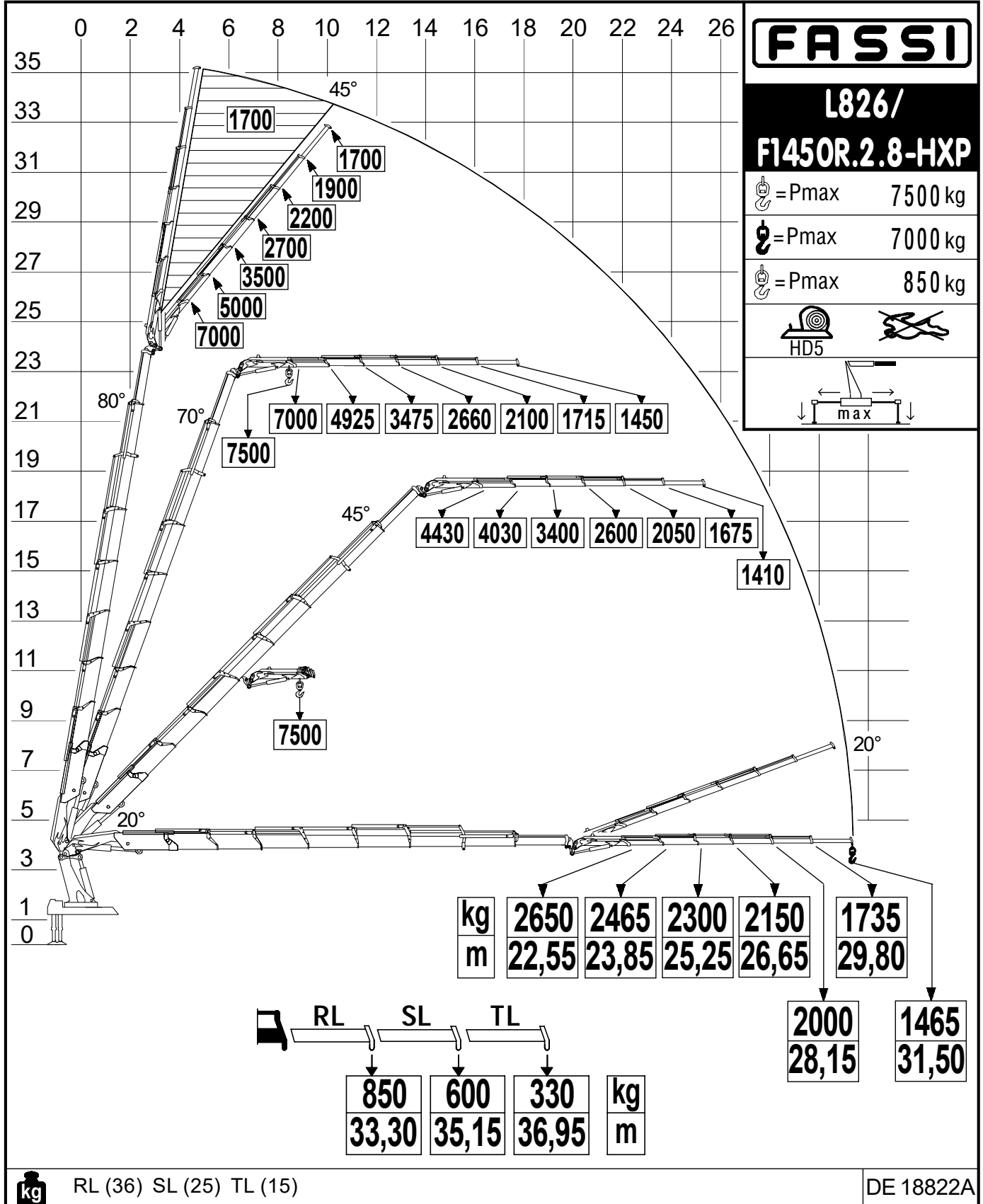
Via Roma, 110
 14021 Albino (BG)
 Tel.: +39 035 776400
 Fax: +39 035 755020
 www.fassi.com
 fassi@fassi.com

LOAD DIAGRAM HYDRAULIC EXTENSIONS WITH LIFTING MOMENT LIMITING DEVICE



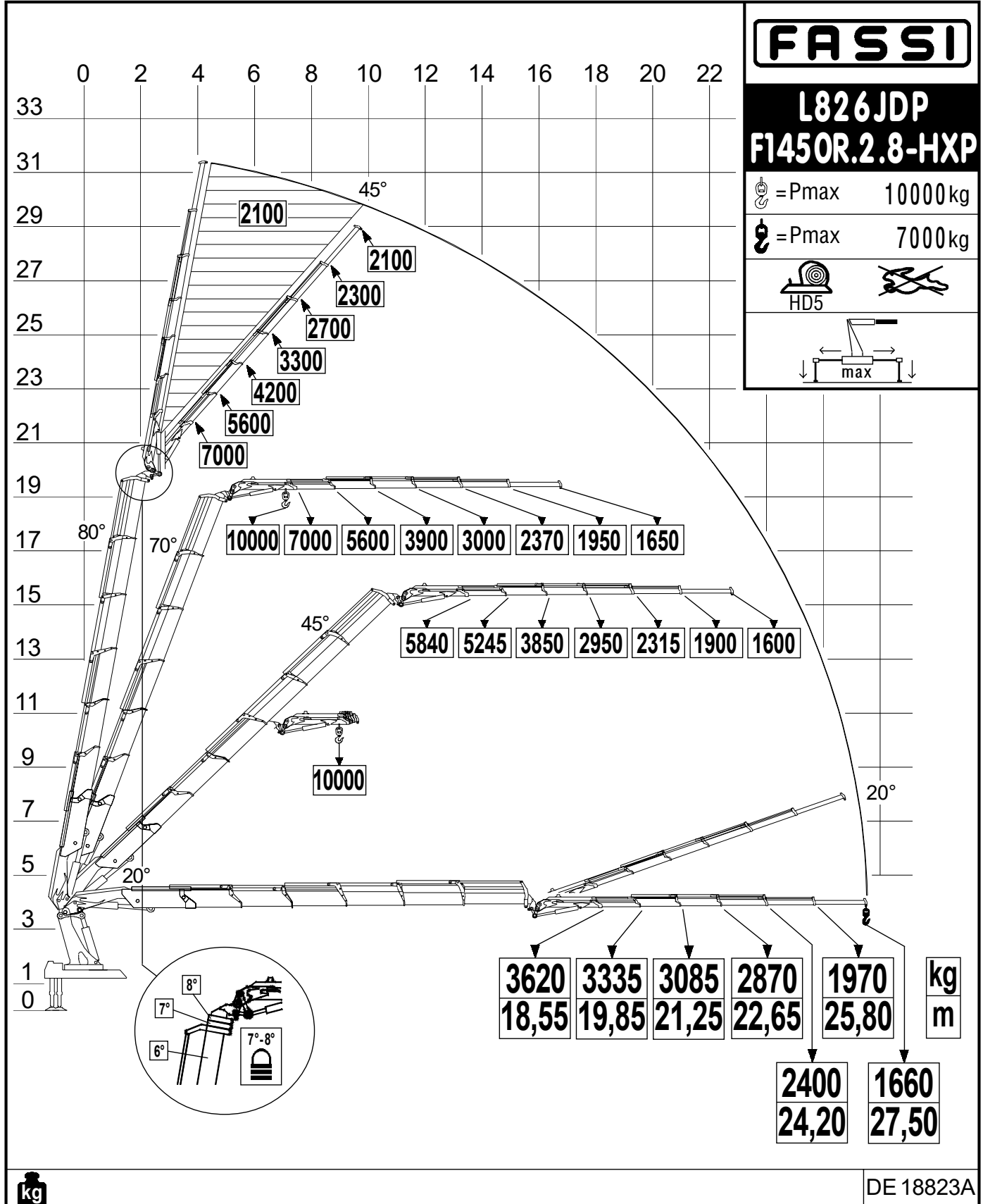
Via Roma, 110
 14021 Albino (BG)
 Tel.: +39 035 776400
 Fax: +39 035 755020
 www.fassi.com
 fassi@fassi.com

LOAD DIAGRAM HYDRAULIC EXTENSIONS WITH LIFTING MOMENT LIMITING DEVICE



RL (36) SL (25) TL (15)

DE 18822A



Via Roma, 110
 14021 Albino (BG)
 Tel.: +39 035 776400
 Fax: +39 035 755020
 www.fassi.com
 fassi@fassi.com

LOAD DIAGRAM WITH WINCH AND WITH LIFTING MOMENT LIMITING DEVICE

